

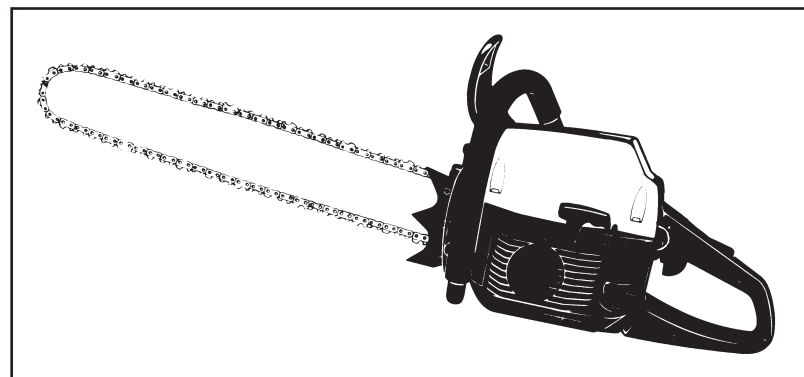
MCCULLOCH®

PARTNER

ILLUSTRATED PARTS LIST

PROMAC 54/DEKO
PROMAC 61/DEKO
PARTNER P610/DEKO
PARTNER P541/DEKO

SERIAL NUMBER PREFIX 02



January 2002

| | <p>54 cc</p> | <table border="1"> <thead> <tr> <th></th> <th>PN McC</th> <th>PN ELX</th> <th></th> </tr> </thead> <tbody> <tr> <td>C 1</td> <td>248765</td> <td>538248765</td> <td>1</td> </tr> <tr> <td>B 2</td> <td>• 227393</td> <td>538227393</td> <td>1</td> </tr> <tr> <td>C 3</td> <td>• 227510</td> <td>538227510</td> <td>1</td> </tr> <tr> <td>4</td> <td>•• 229544</td> <td>538229544</td> <td>2</td> </tr> <tr> <td>B 5</td> <td>•• 227543</td> <td>538227543</td> <td>1</td> </tr> <tr> <td>6</td> <td>•• 227344</td> <td>538227344</td> <td>1</td> </tr> </tbody> </table> | | PN McC | PN ELX | | C 1 | 248765 | 538248765 | 1 | B 2 | • 227393 | 538227393 | 1 | C 3 | • 227510 | 538227510 | 1 | 4 | •• 229544 | 538229544 | 2 | B 5 | •• 227543 | 538227543 | 1 | 6 | •• 227344 | 538227344 | 1 |
|---|---------------------|---|--------|--------|--------|--------|-----------|--------|-----------|----------|-----------|----------|-----------|----------|-----------|----------|-----------|-----------|-----------|-----------|-----------|-----------|-----------|-----------|-----------|-----------|-----------|-----------|-----------|---|
| | | | PN McC | PN ELX | | | | | | | | | | | | | | | | | | | | | | | | | | |
| C 1 | 248765 | 538248765 | 1 | | | | | | | | | | | | | | | | | | | | | | | | | | | |
| B 2 | • 227393 | 538227393 | 1 | | | | | | | | | | | | | | | | | | | | | | | | | | | |
| C 3 | • 227510 | 538227510 | 1 | | | | | | | | | | | | | | | | | | | | | | | | | | | |
| 4 | •• 229544 | 538229544 | 2 | | | | | | | | | | | | | | | | | | | | | | | | | | | |
| B 5 | •• 227543 | 538227543 | 1 | | | | | | | | | | | | | | | | | | | | | | | | | | | |
| 6 | •• 227344 | 538227344 | 1 | | | | | | | | | | | | | | | | | | | | | | | | | | | |
| <table border="1"> <thead> <tr> <th></th> <th>PN McC</th> <th>PN ELX</th> <th></th> </tr> </thead> <tbody> <tr> <td>C 1</td> <td>248766</td> <td>538248766</td> <td>1</td> </tr> <tr> <td>B 2</td> <td>• 227393</td> <td>538227393</td> <td>1</td> </tr> <tr> <td>C 3</td> <td>• 227511</td> <td>538227511</td> <td>1</td> </tr> <tr> <td>4</td> <td>•• 229544</td> <td>538229544</td> <td>2</td> </tr> <tr> <td>B 5</td> <td>•• 227544</td> <td>538227544</td> <td>1</td> </tr> <tr> <td>6</td> <td>•• 227344</td> <td>538227344</td> <td>1</td> </tr> </tbody> </table> | | PN McC | PN ELX | | C 1 | 248766 | 538248766 | 1 | B 2 | • 227393 | 538227393 | 1 | C 3 | • 227511 | 538227511 | 1 | 4 | •• 229544 | 538229544 | 2 | B 5 | •• 227544 | 538227544 | 1 | 6 | •• 227344 | 538227344 | 1 | | |
| | PN McC | PN ELX | | | | | | | | | | | | | | | | | | | | | | | | | | | | |
| C 1 | 248766 | 538248766 | 1 | | | | | | | | | | | | | | | | | | | | | | | | | | | |
| B 2 | • 227393 | 538227393 | 1 | | | | | | | | | | | | | | | | | | | | | | | | | | | |
| C 3 | • 227511 | 538227511 | 1 | | | | | | | | | | | | | | | | | | | | | | | | | | | |
| 4 | •• 229544 | 538229544 | 2 | | | | | | | | | | | | | | | | | | | | | | | | | | | |
| B 5 | •• 227544 | 538227544 | 1 | | | | | | | | | | | | | | | | | | | | | | | | | | | |
| 6 | •• 227344 | 538227344 | 1 | | | | | | | | | | | | | | | | | | | | | | | | | | | |

FIGURE 2

| <p>WALBRO WJ 82</p> | | | | | | | | | | | | | | | | | | | | | | | | | | | | | | | | | | | | | | | | | |
|----------------------------|--|-----------|--------|--------|--|-----|--------|-----------|---|-----|----------|-----------|---|-----|-----------|-----------|---|---|----------|-----------|---|---|----------|-----------|-----|---|----------|-----------|-----|-----|----------|-----------|---|---|----------|-----------|---|----|----------|-----------|---|
| | | | | | | | | | | | | | | | | | | | | | | | | | | | | | | | | | | | | | | | | | |
| | <table border="1"> <thead> <tr> <th></th> <th>PN McC</th> <th>PN ELX</th> <th></th> </tr> </thead> <tbody> <tr> <td>C -</td> <td>241311</td> <td>538241311</td> <td>1</td> </tr> <tr> <td>B 1</td> <td>• 229925</td> <td>538229925</td> <td>1</td> </tr> <tr> <td>A 2</td> <td>•• 237211</td> <td>538237211</td> <td>1</td> </tr> <tr> <td>3</td> <td>• 229927</td> <td>538229927</td> <td>2</td> </tr> <tr> <td>5</td> <td>• 237202</td> <td>538237202</td> <td>L 1</td> </tr> <tr> <td>6</td> <td>• 229930</td> <td>538229930</td> <td>H 1</td> </tr> <tr> <td>C 7</td> <td>• 237203</td> <td>538237203</td> <td>1</td> </tr> <tr> <td>9</td> <td>• 240219</td> <td>538240219</td> <td>1</td> </tr> <tr> <td>10</td> <td>• 240218</td> <td>538240218</td> <td>1</td> </tr> </tbody> </table> | | PN McC | PN ELX | | C - | 241311 | 538241311 | 1 | B 1 | • 229925 | 538229925 | 1 | A 2 | •• 237211 | 538237211 | 1 | 3 | • 229927 | 538229927 | 2 | 5 | • 237202 | 538237202 | L 1 | 6 | • 229930 | 538229930 | H 1 | C 7 | • 237203 | 538237203 | 1 | 9 | • 240219 | 538240219 | 1 | 10 | • 240218 | 538240218 | 1 |
| | PN McC | PN ELX | | | | | | | | | | | | | | | | | | | | | | | | | | | | | | | | | | | | | | | |
| C - | 241311 | 538241311 | 1 | | | | | | | | | | | | | | | | | | | | | | | | | | | | | | | | | | | | | | |
| B 1 | • 229925 | 538229925 | 1 | | | | | | | | | | | | | | | | | | | | | | | | | | | | | | | | | | | | | | |
| A 2 | •• 237211 | 538237211 | 1 | | | | | | | | | | | | | | | | | | | | | | | | | | | | | | | | | | | | | | |
| 3 | • 229927 | 538229927 | 2 | | | | | | | | | | | | | | | | | | | | | | | | | | | | | | | | | | | | | | |
| 5 | • 237202 | 538237202 | L 1 | | | | | | | | | | | | | | | | | | | | | | | | | | | | | | | | | | | | | | |
| 6 | • 229930 | 538229930 | H 1 | | | | | | | | | | | | | | | | | | | | | | | | | | | | | | | | | | | | | | |
| C 7 | • 237203 | 538237203 | 1 | | | | | | | | | | | | | | | | | | | | | | | | | | | | | | | | | | | | | | |
| 9 | • 240219 | 538240219 | 1 | | | | | | | | | | | | | | | | | | | | | | | | | | | | | | | | | | | | | | |
| 10 | • 240218 | 538240218 | 1 | | | | | | | | | | | | | | | | | | | | | | | | | | | | | | | | | | | | | | |

FIGURE 3

A = high moving - alta rotazione - haute demande - große Nachfrage
 B = medium moving - media rotazione - moyenne demande - mittelmäßige Nachfrage
 C = slow moving - bassa rotazione - basse demande - wenige Nachfrage

| | PN McC | PN ELX | | PN McC | PN ELX | | | |
|------|----------|-----------|----------------|--------|--------|-----------|-----------|---------|
| C 1 | 240861 | 538240861 | McCulloch | C 84 | 241357 | 538241357 | 1 | |
| C | 241929 | 538241929 | Partner | 85 | 235642 | 538235642 | 1 | |
| B 2 | 240485 | 538240485 | | 86 | 227259 | 538227259 | 1 | |
| B 3 | 240484 | 538240484 | | 87 | 241147 | 538241147 | M5x16 1 | |
| 4 | 227470 | 538227470 | | 88 | 236936 | 538236936 | 1 | |
| C 5 | 227468 | 538227468 | | 89 | 236933 | 538236933 | M6x18 1 | |
| A 6 | 227471 | 538227471 | | 90 | 240845 | 538240845 | M5x16 1 | |
| C 7 | 227300 | 538227300 | | 91 | 241474 | 538241474 | 1 | |
| 8 | 227467 | 538227467 | | 92 | 227259 | 538227259 | 1 | |
| 9 | 240884 | 538240884 | | 93 | 241308 | 538241308 | 1 | |
| 10 | 235530 | 538235530 | M5x35 | 2 | B 94 | 227406 | 538227406 | 1 |
| 11 | 235803 | 538235803 | M5x25 | 2 | A 95 | 241205 | 538241205 | 1 |
| 12 | 227626 | 538227626 | | 4 | 96 | 227408 | 538227408 | 1 |
| 13 | 227762 | 538227762 | | 1 | 97 | 227409 | 538227409 | 1 |
| 14 | 241312 | 538241312 | | 1 | C 98 | 227411 | 538227411 | 1 |
| B 15 | 227508 | 538227508 | | 1 | 99 | 227676 | 538227676 | 1 |
| C 16 | 227420 | 538227420 | | 1 | 100 | 227626 | 538227626 | 4 |
| B 17 | 227507 | 538227507 | | 1 | 101 | 235642 | 538235642 | 2 |
| C 18 | 227459 | 538227459 | | 1 | 102 | 235530 | 538235530 | M5x35 2 |
| 19 | 235806 | 538235806 | M5x20 | 7 | C103 | 241468 | 538241468 | 1 |
| 20 | 227626 | 538227626 | | 7 | C104 | 241467 | 538241467 | 1 |
| 21 | 241352 | 538241352 | | 1 | 105 | 241469 | 538241469 | 1 |
| 22 | 235806 | 538235806 | M5x20 | 2 | 106 | 240863 | 538240863 | 1 |
| 23 | 227629 | 538227629 | | 2 | 107 | 241572 | 538241572 | 1 |
| 24 | 235642 | 538235642 | | 2 | 108 | 227626 | 538227626 | 2 |
| 25 | 227629 | 538227629 | | 2 | 109 | 235802 | 538235802 | M5x14 2 |
| 26 | 227563 | 538227563 | M5x16 | 1 | 110 | 240863 | 538240863 | 1 |
| 27 | 235248 | 538235248 | | 1 | C111 | 241464 | 538241464 | 1 |
| 28 | 229524 | 538229524 | | 1 | C112 | 241465 | 538241465 | 1 |
| C 29 | 241356 | 538241356 | | 1 | 113 | 241466 | 538241466 | 1 |
| 30 | 227563 | 538227563 | M5x16 | 1 | 114 | 241479 | 538241479 | 1 |
| 31 | 227259 | 538227259 | | 1 | 115 | 235642 | 538235642 | 1 |
| 32 | 242269 | 538242269 | yellow/giallo/ | 1 | 116 | 227626 | 538227626 | 1 |
| | 242270 | 538242270 | gold/oro/ | 1 | C117 | 227681 | 538227681 | 1 |
| | | | or/gold | 1 | 118 | 235803 | 538235803 | M5x25 1 |
| 33 | 227458 | 538227458 | M5x21 | 3 | 119 | 241487 | 538241487 | 1 |
| C 34 | 241501 | 538241501 | | 1 | 120 | 241505 | 538241505 | 2 |
| 35 | 241470 | 538241470 | | 1 | 121 | 241484 | 538241484 | 1 |
| 36 | 235806 | 538235806 | M5x20 | 2 | 122 | 241485 | 538241485 | 1 |
| 37 | 227626 | 538227626 | | 2 | 123 | 229510 | 538229510 | 3 |
| C 38 | FIGURE 2 | FIGURE 2 | | 1 | C124 | 241319 | 538241319 | 1 |
| A 39 | 240010 | 538240010 | | 1 | 125 | 240314 | 538240314 | M6x16 1 |
| 40 | 227565 | 538227565 | M5x25 | 4 | 126 | 227504 | 538227504 | 1 |
| C 41 | 227483 | 538227483 | | 1 | 127 | 235225 | 538235225 | 1 |
| C 42 | 240654 | 538240654 | | 1 | C128 | 241350 | 538241350 | 1 |
| 43 | 227491 | 538227491 | | 1 | 129 | 229514 | 538229514 | 1 |
| 44 | 227567 | 538227567 | M5x70 | 2 | A130 | 227762 | 538227762 | 2 |
| 45 | 236381 | 538236381 | M5x10 | 1 | 131 | 241317 | 538241317 | 1 |
| 46 | 227626 | 538227626 | | 1 | 132 | 248166 | 538248166 | 1 |
| 47 | 227566 | 538227566 | M5x65 | 2 | 133 | 229450 | 538229450 | 1 |
| 48 | 227629 | 538227629 | | 2 | 134 | 227497 | 538227497 | 2 |
| 49 | 227316 | 538227316 | | 1 | 135 | 236728 | 538236728 | 1 |
| 50 | 235802 | 538235802 | M5x14 | 1 | C136 | 227499 | 538227499 | 1 |
| 51 | 227458 | 538227458 | M5x21 | 2 | 137 | 248167 | 538248167 | 1 |
| B 52 | 227561 | 538227561 | | 1 | 138 | 229450 | 538229450 | 1 |
| C 53 | FIGURE 3 | FIGURE 3 | | 1 | C139 | 241307 | 538241307 | 1 |
| 54 | 227424 | 538227424 | | 1 | C140 | 227370 | 538227370 | 2 |
| A 55 | 227417 | 538227417 | | 1 | 141 | 241339 | 538241339 | 1 |
| 56 | 227629 | 538227629 | | 2 | C142 | 241344 | 538241344 | 1 |
| 57 | 235803 | 538235803 | M5x25 | 2 | 143 | 241345 | 538241345 | 1 |
| C 58 | 240114 | 538240114 | | 1 | 144 | 241346 | 538241346 | 1 |
| C 59 | 227395 | 538227395 | | 1 | C145 | 241347 | 538241347 | 1 |
| C 60 | 227371 | 538227371 | | 1 | 146 | 227359 | 538227359 | 3 |
| 61 | 227616 | 538227616 | M5x16 | 2 | B147 | 227360 | 538227360 | 3 |
| 62 | 235642 | 538235642 | | 2 | 148 | 241348 | 538241348 | 1 |
| 63 | 227626 | 538227626 | | 2 | C149 | 227546 | 538227546 | 1 |
| C 64 | 227368 | 538227368 | | 1 | C150 | 227329 | 538227329 | 1 |
| C 65 | 227369 | 538227369 | | 1 | B151 | 227547 | 538227547 | 1 |
| C 66 | 227391 | 538227391 | | 1 | 152 | 229519 | 538229519 | 1 |
| C 67 | 227631 | 538227631 | | 1 | 153 | 241349 | 538241349 | 1 |
| 68 | 241300 | 538241300 | | 1 | 154 | 241343 | 538241343 | 1 |
| C 69 | 227335 | 538227335 | | 1 | 155 | 228908 | 538228908 | M4x14 2 |
| A 70 | 227516 | 538227516 | | 1 | C156 | 241320 | 538241320 | 1 |
| B 71 | 227366 | 538227366 | | 1 | C157 | 241332 | 538241332 | 1 |
| B 72 | 227365 | 538227365 | | 1 | C158 | 227383 | 538227383 | 1 |
| C 73 | 241354 | 538241354 | | 1 | C159 | 241342 | 538241342 | 1 |
| 74 | 227443 | 538227443 | | 1 | 160 | 228908 | 538228908 | M4x14 3 |
| 75 | 227445 | 538227445 | | 1 | C161 | 241340 | 538241340 | 1 |
| 76 | 227801 | 538227801 | M4x75 | 1 | C162 | 227464 | 538227464 | 1 |
| 77 | 227904 | 538227904 | | 1 | C163 | 227527 | 538227527 | 1 |
| 78 | 240683 | 538240683 | | 1 | C164 | 241341 | 538241341 | 1 |
| 79 | 229524 | 538229524 | | 1 | 165 | 240309 | 538240309 | 1 |
| C 80 | 240119 | 538240119 | | 1 | 166 | 240363 | 538240363 | 1 |
| 81 | 240862 | 538240862 | | 3 | 167 | 227943 | 538227943 | 1 |
| 82 | 241471 | 538241471 | | 1 | 168 | 94273 | 538094273 | 1 |
| C 83 | 241473 | 538241473 | | 1 | | | | |

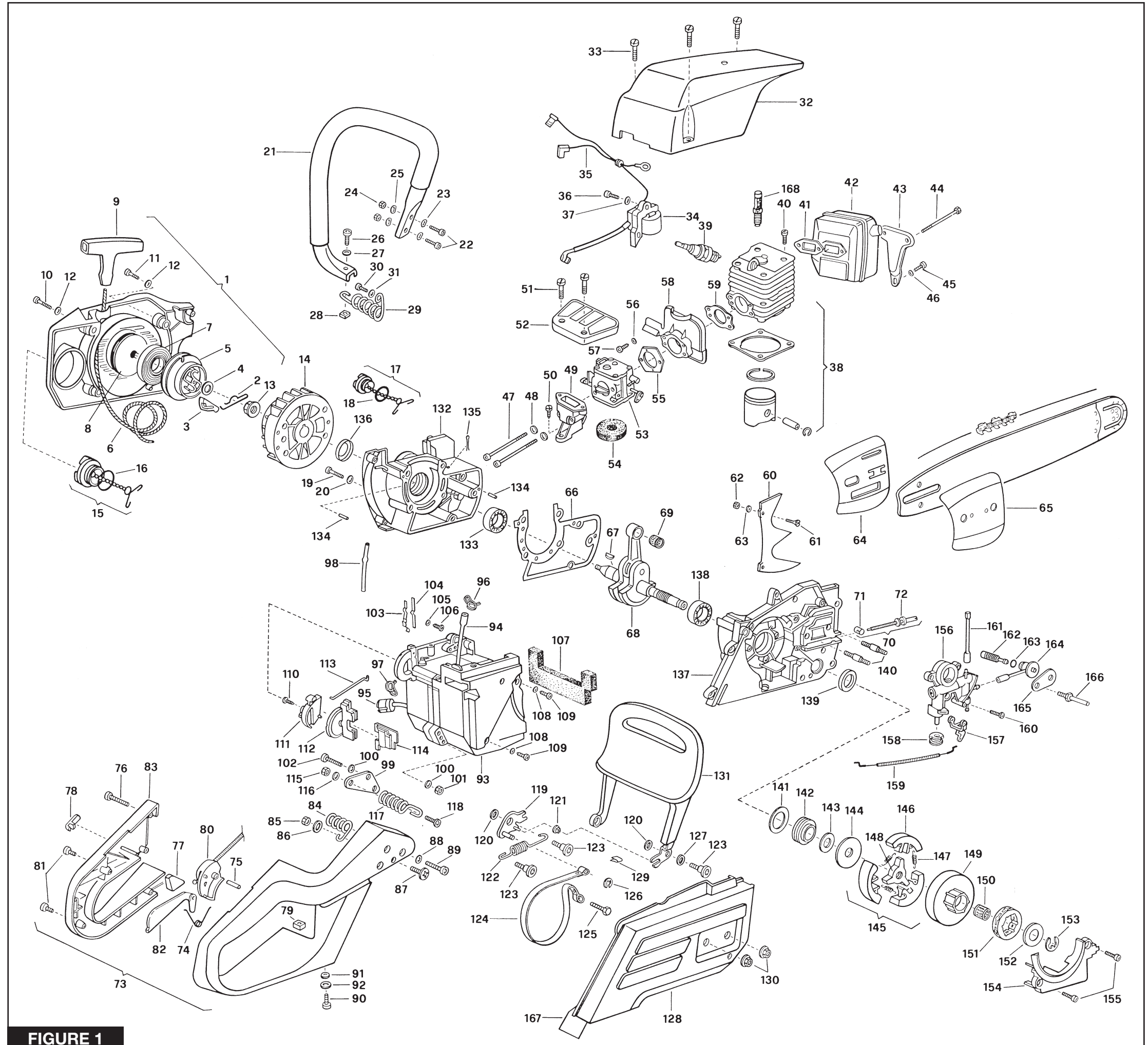


FIGURE 1

A = high moving - alta rotazione - haute demande - große Nachfrage
 B = medium moving - media rotazione - moyenne demande - mittelmäßige Nachfrage
 C = slow moving - bassa rotazione - basse demande - wenige Nachfrage